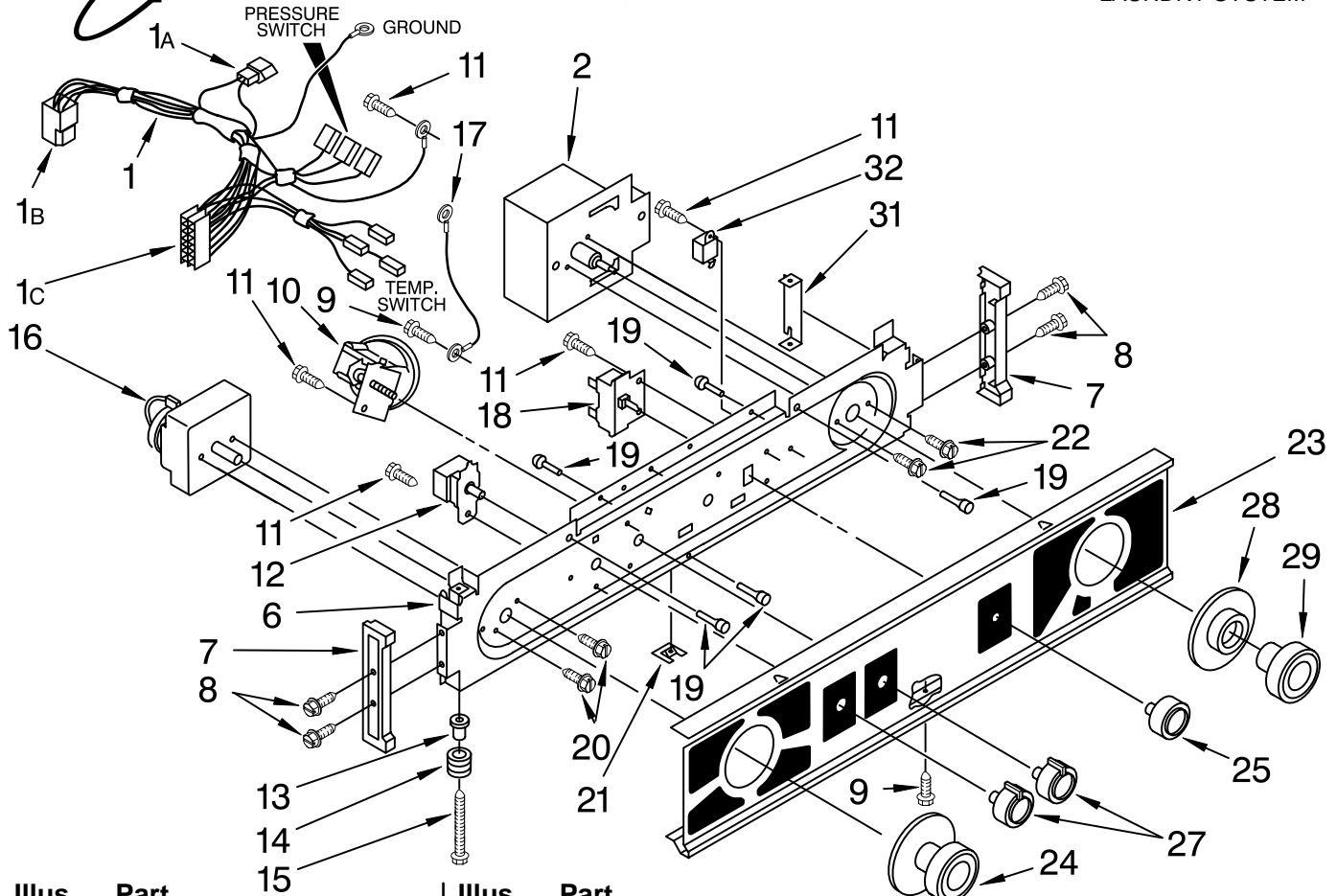




# WASHER/DRYER CONTROL PANEL PARTS

For Models: LTG5243DQ1, LTG5243DZ1  
(Designer White) (Designer Almond)

WASHER/DRYER  
LAUNDRY SYSTEM



Illus. No.	Part No.	DESCRIPTION
1	3406288	Harness, Console Wiring (Automatic) (Includes Illus. 1A, 1B & 1C)
1A	3350130	Plug, Terminal (2-Way) (Connects With Main Dryer Harness)
1B	696073	Receptacle, Connector (Connects With Lower Automatic Harness)
1C	3948614	Disconnect Block (Connects With Automatic Timer)
2	3952499	Timer, Control (60 Hz.) (Automatic Washer)
6	8054285	Bracket, Control
7	692993	End Cap, Console (L.H. & R.H.)
8	348689	Screw, End Cap Mounting (4) (6-32 x 3/4)

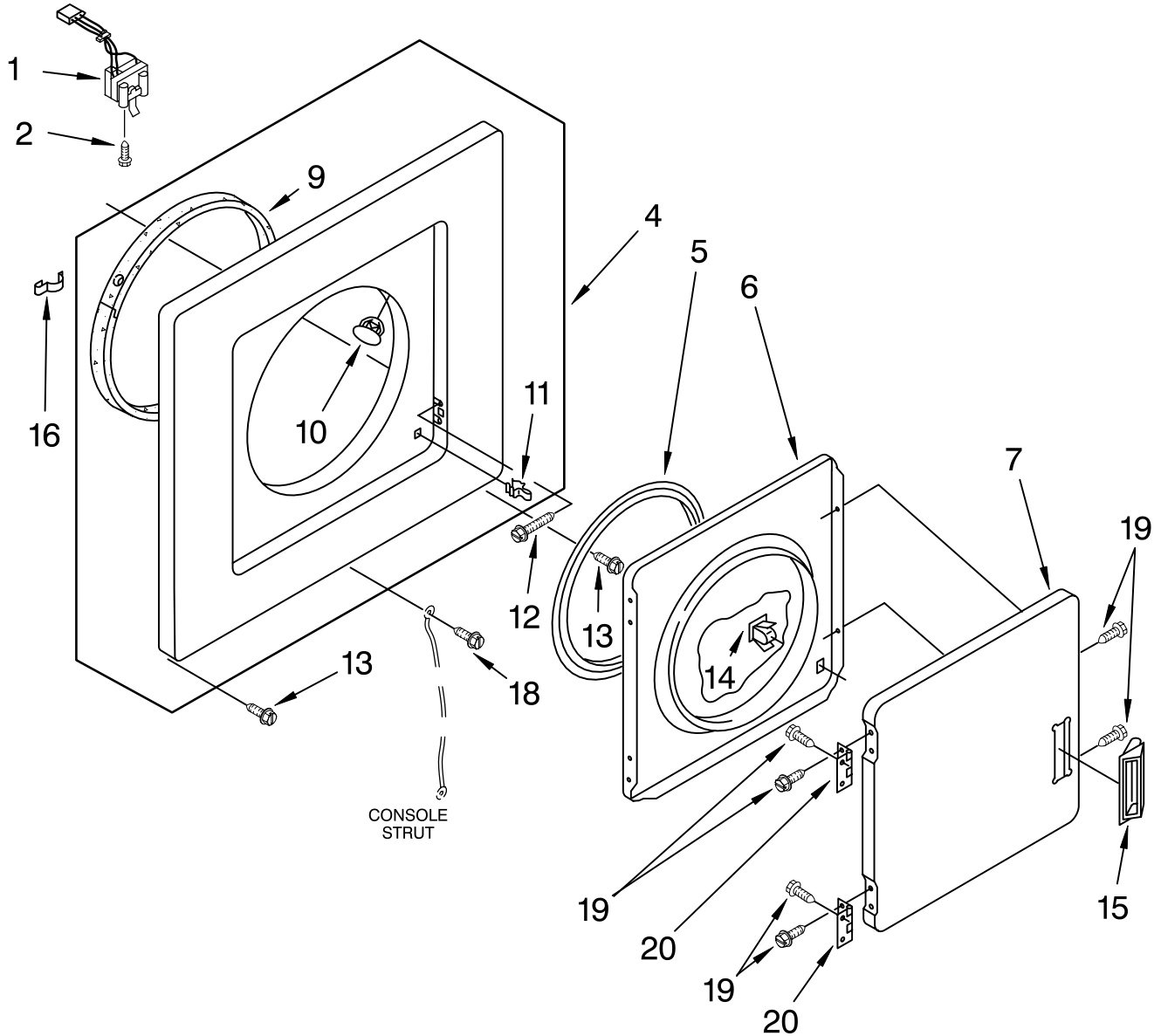
Illus. No.	Part No.	DESCRIPTION
9	694091	Screw, Mounting (2) #8 Posidrive
10	3362987	Switch, Water Level
11	339554	Screw
12	8054142	Switch, Water Temperature
13	693711	Sleeve, Console Lock Screw (2)
14	693151	Spring, Console Lock (2)
15	693710	Screw, Console Lock (2)
16	3406720	Timer, Control (60 Hz.) (Dryer) (Timer Motor Not Serviceable)
17	693175	Strut, Console
18	3395382	Switch, Push-To-Start
19	693152	Bumper, Console (5)
20	96435	Screw, Timer Mounting (2)
21	694037	Clip, Console
22	3390646	Screw, Dryer Timer Mounting (2) (8-18 x 3/16)

Illus. No.	Part No.	DESCRIPTION
23		Panel, Control
	3977194	White
	3977193	Almond
24		Knob, Timer (Dryer)
	3406143	White
	3406144	Almond
25		Knob, Push-To-Start
	3406133	White
	3406134	Almond
27		Knob, Control (2)
	3950759	White
	3950760	Almond
28		Dial, Timer (Washer)
	3950762	White
	3950763	Almond
29		Knob, Timer (Washer)
	3948580	White
	3948582	Almond
31	692983	Lock, Console (2)
32	694419	Buzzer

FOR ORDERING INFORMATION REFER TO PARTS PRICE LIST

# DRYER FRONT PANEL AND DOOR PARTS

For Models: LTG5243DQ1, LTG5243DZ1  
(Designer White) (Designer Almond)

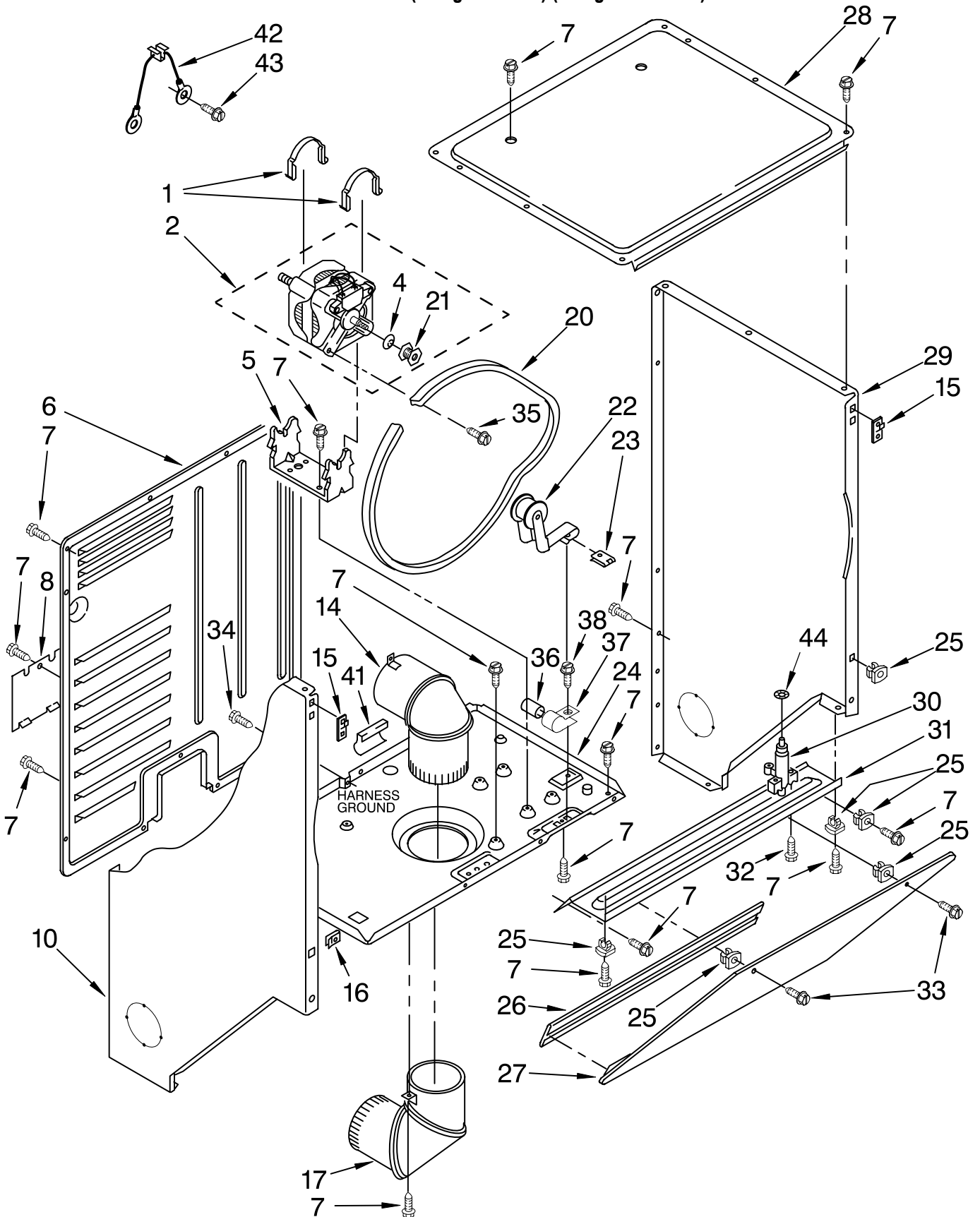


Illus. No.	Part No.	DESCRIPTION	Illus. No.	Part No.	DESCRIPTION	Illus. No.	Part No.	DESCRIPTION
1	3406108	Door Switch	9	349462	Bearing & Seal	15		Handle, Door
2	697773	Screw	10	685203	Clip, Felt Pad (2)		686711	White
4		Panel, Front	11	696144	Strike, Panel		689308	Almond
	692619	White	12	98129	Screw, Door Switch Mounting (2)	16	692846	Support Protector
	692620	Almond	13	343641	Screw, 10-16 x 1/2 (2) (Front Panel To Side Panel)	18	339554	Screw, Console Strut Mounting
5	3390734	Seal, Door	14	3389441	Catch, Door	19	694091	Screw, Door Mount To Hinge & Panel (10)
6	695656	Door, Rear				20	348023	Hinge & Pin, Door (2)
7		Door, Front						
	348205	White						
	689314	Almond						

FOR ORDERING INFORMATION REFER TO PARTS PRICE LIST

# DRYER CABINET AND MOTOR PARTS

For Models: LTG5243DQ1, LTG5243DZ1  
(Designer White) (Designer Almond)



FOR ORDERING INFORMATION REFER TO PARTS PRICE LIST

# DRYER CABINET AND MOTOR PARTS

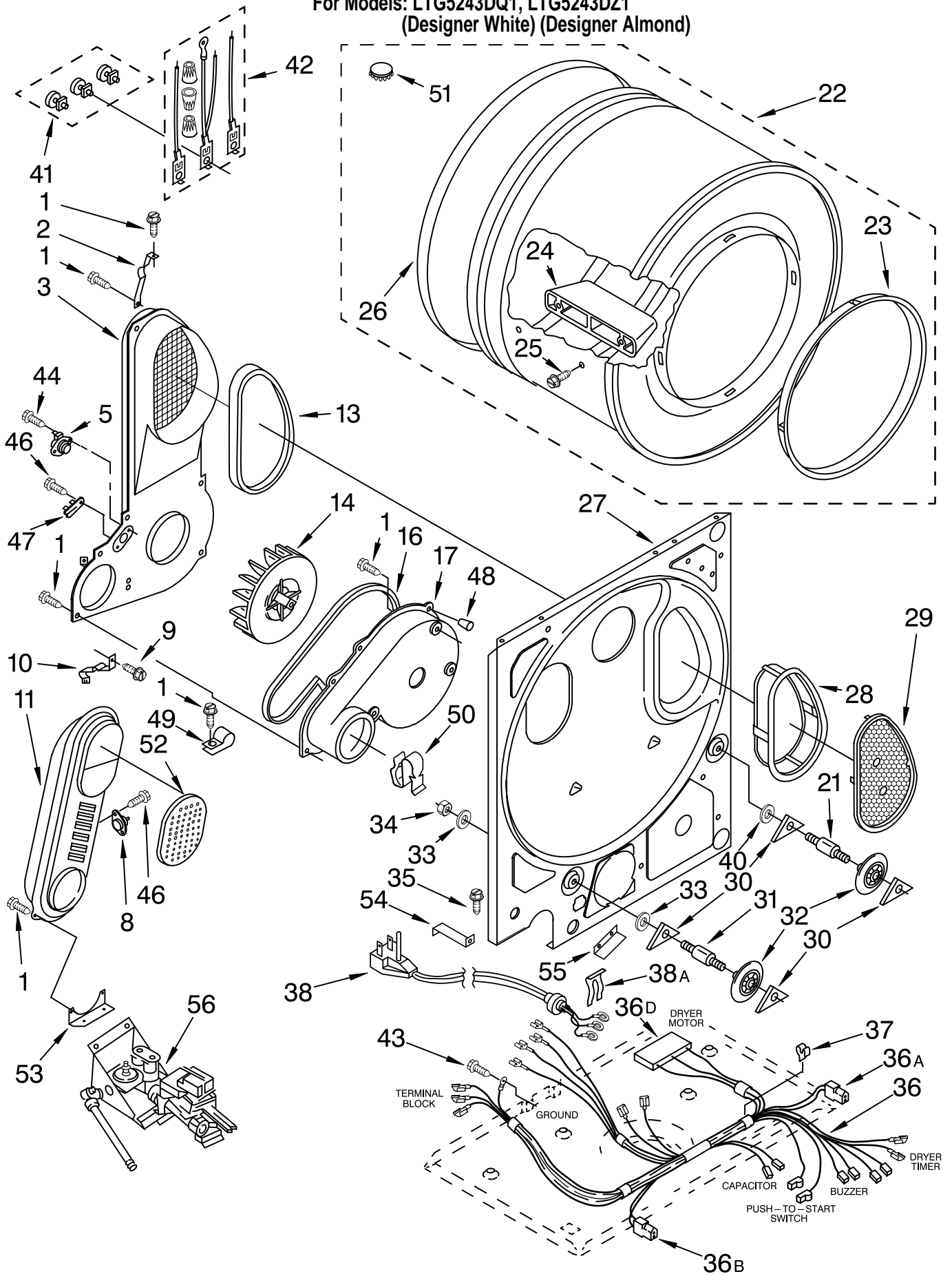
For Models: LTG5243DQ1, LTG5243DZ1  
(Designer White) (Designer Almond)

Illus. No.	Part No.	DESCRIPTION	Illus. No.	Part No.	DESCRIPTION	Illus. No.	Part No.	DESCRIPTION
1	660658	Clamp, Motor Mounting (2) 343481 (Alt.) 685441 (Alt.)	21	3396426	Pulley, Motor (60 Hz.)	32	354975	Screw & Washer (3) (Lid Latch Mounting)
2	3398046	Motor, Main Drive (60 Hz.)	22	691366	Idler & Bracket	33	693304	Screw & Washer (2) (Transition Panel To Closure)
4	3393657	Restrainer, Belt	23	692771	Nut, Idler Bracket To Base	34	697776	Screw, Ground (2) (10-32 x 1/2)
5	696541	Bracket, Motor	24	3399633	Base, Dryer	35	3390631	Screw, 10-16 x 3/8
6	3390405	Panel, Rear	25	692400	Nut, Push-In	36	357021	Capacitor, Motor Start (Automatic Washer)
7	343641	Screw, 10-16 x 1/2	26	692926	Cove, Transition Panel (Black)	37	357030	Clamp, Capacitor
8	3394228	Cover, Terminal Block	27	692933	Panel, Transition White	38	343641	Screw, Capacitor Mounting (10-16 X 1/2)
10	3402293	Panel, Side (L.H.) White	28	692934	Almond Top, Dryer	41	686770	Edge, Protector
14	3399602	Elbow, Upper	29	692641	Panel, Side (R.H.) White	42	3388580	Cable
15	3394083	Clip, Front Panel (2)	30	3402287	Almond White	43	343641	Screw, 10-16 x 1/2 (2)
16	98234	Clip, Ground	31	3402288	Almond Latch, Lid Closure, Control Area	44	90296	Clip
17	3399603	Elbow, Lower		692781	White			
20	3394652	Belt, Drive		692782	Almond			

FOR ORDERING INFORMATION REFER TO PARTS PRICE LIST

# DRYER BULKHEAD PARTS

For Models: LTG5243DQ1, LTG5243DZ1  
(Designer White) (Designer Almond)



# DRYER BULKHEAD PARTS

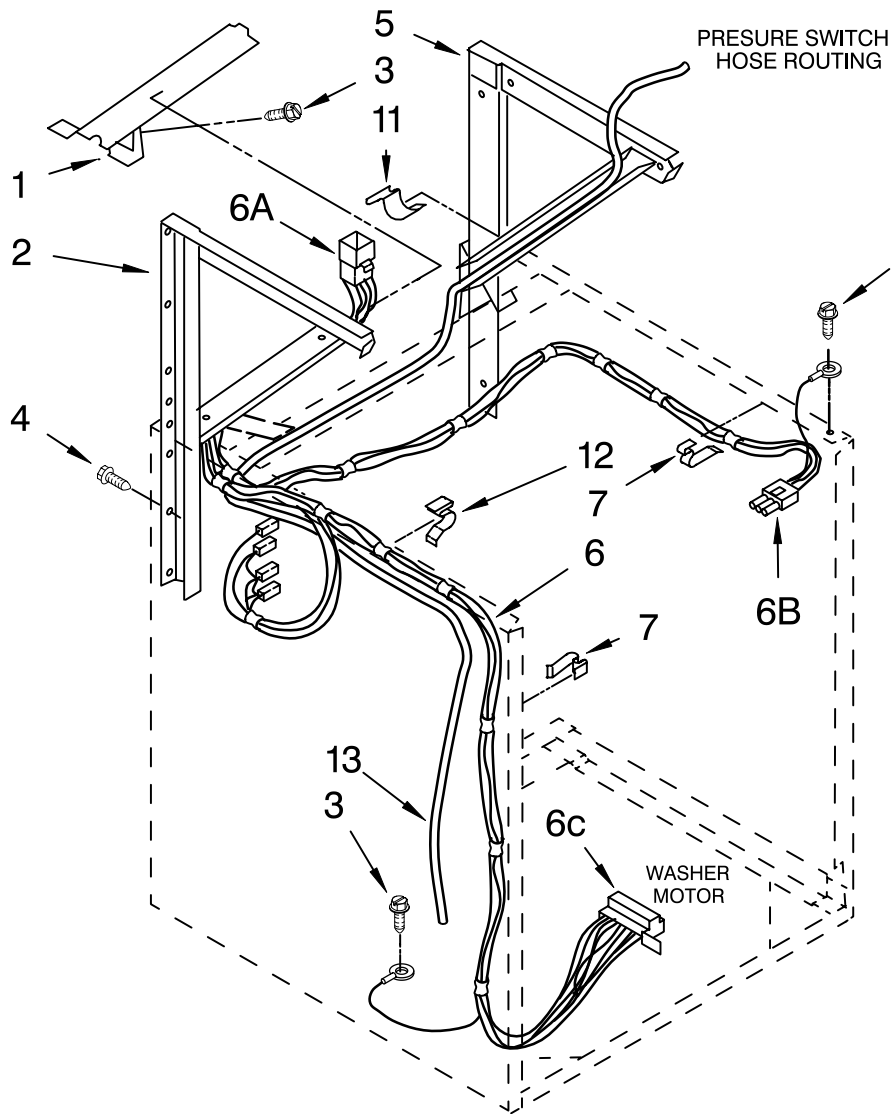
For Models: LTG5243DQ1, LTG5243DZ1  
(Designer White) (Designer Almond)

Illus. No.	Part No.	DESCRIPTION	Illus. No.	Part No.	DESCRIPTION	Illus. No.	Part No.	DESCRIPTION
1	343641	Screw, 10-16 x 1/2	28	348399	Lint Screen	38	694018	Cord, Power
2	3395396	Clip, Air Duct To Bulkhead	29	685273	Cover, Lint Screen Outlet	38a	694415	Strain Relief, Power Cord
3	696529	Air Duct & Cover	30	690997	Tri-Ring (4)	40	3388703	Washer, Support
5	3398128	Thermostat, Internal Bias	31	3399506	Shaft, Drum Roller (L.H.)	41	279393	Screw Kit (For Terminal Block)
8	3403140	Thermostat, Heater Box 205°F 96°C	32	3397588	Roller, Support (2)	42	279318	Terminal, Tinned & Brass (3) (Includes Illus. 41)
9	489463	Screw, 8-18 x 5/8	33	348197	Washer, Support (4)	43	697776	Screw, Ground (2) (10-32 x 1/2)
10	3398161	Clip, Heater Box To Bulkhead	34	3359452	Nut, 3/8-16 (2)	44	3390647	Screw, 8-18 x 1/2
11	697269	Heater Box	35	3390631	Screw, 10-16 x 3/8 (Bulkhead To Base)	46	90767	Screw, 8-18 X 3/8
13	339956	Seal, Air Duct To Bulkhead	36	3396657	Harness, Main Dryer Wiring (Includes Illus. 36A, 36B, 36C, 36D & 36E)	47	3392519	Fuse, Thermal
14	696426	Wheel, Blower	36A	717252	Receptacle, Terminal (2-Way) (Connects With Door Switch Harness)	48	359702	Cap, Screw
16	9830394	Seal, Fan Scroll	36B	697780	Receptacle, (Gas Valve)	49	255563	Clip, Strain Relief
17	696418	Fan Scroll	36D	3395683	Receptacle, Multi-Terminal (Connects With Dryer Motor)	50	697439	Clip, Harness To Duct (2)
21	3399507	Shaft, Drum Roller (R.H.)	37	693141	Clip, Wiring Harness (3)	51	3977358	Drum, Hole Plug
22	695943	Drum, Dryer				52	345335	Cover, Manifold
23	3394508	Ring, Bearing				53	347455	Support, Heater Box
24	685207	Baffle, Drum (3)				54	3387208	Support, Corner Gas
25	697777	Screw, Baffle Mounting (6) (11-16 x 7/8)				55	697571	Guard, Sock
26	345648	Seal, Drum Rear				56	3402856	Burner
27	697540	Bulkhead						(Refer to page 19 For Complete Breakdown)

FOR ORDERING INFORMATION REFER TO PARTS PRICE LIST

# DRYER SUPPORT AND WASHER PARTS

For Models: LTG5243DQ1, LTG5243DZ1  
(Designer White) (Designer Almond)

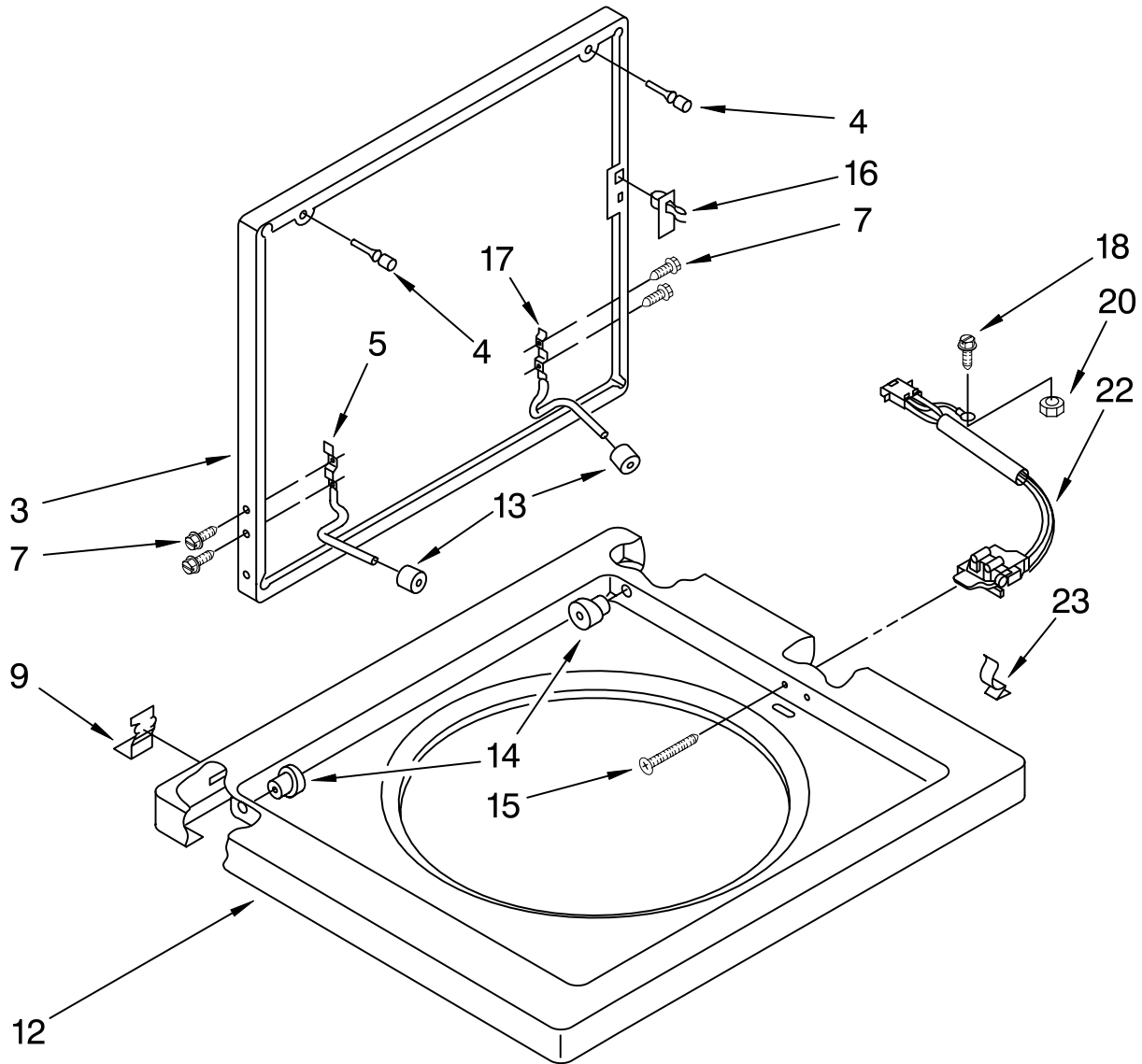


Illus. No.	Part No.	DESCRIPTION
1	694304	Cover, Channel
2	692647	Support, Dryer (L.H.)
3	343641	Screw, 10-16 x 1/2
4	3400000	Screw, 10-24 x 3/8 (8) (Washer Cabinet To Dryer Supports)
5	692646	Support, Dryer (R.H.)
6	3388677	Harness, Upper (Automatic) (Includes Illus. 6A, 6B & 6C)
6A	696074	Plug, Terminal (12-Way) (Connects With Automatic Console Harness)
6B	62889	Plug, Terminal (3-Way) (Connects With Automatic Lid Switch Harness)
6C	62505	Block, Disconnect (Connects With Automatic Washer Motor)
7	3347812	Clip, Wiring Harness (4)
11	90016	Clip, Pressure Switch Hose (2)
12	693141	Clip, Harness
13	696238	Hose, Pressure Switch

FOR ORDERING INFORMATION REFER TO PARTS PRICE LIST

# WASHER TOP AND LID PARTS

For Models: LTG5243DQ1, LTG5243DZ1  
(Designer White) (Designer Almond)



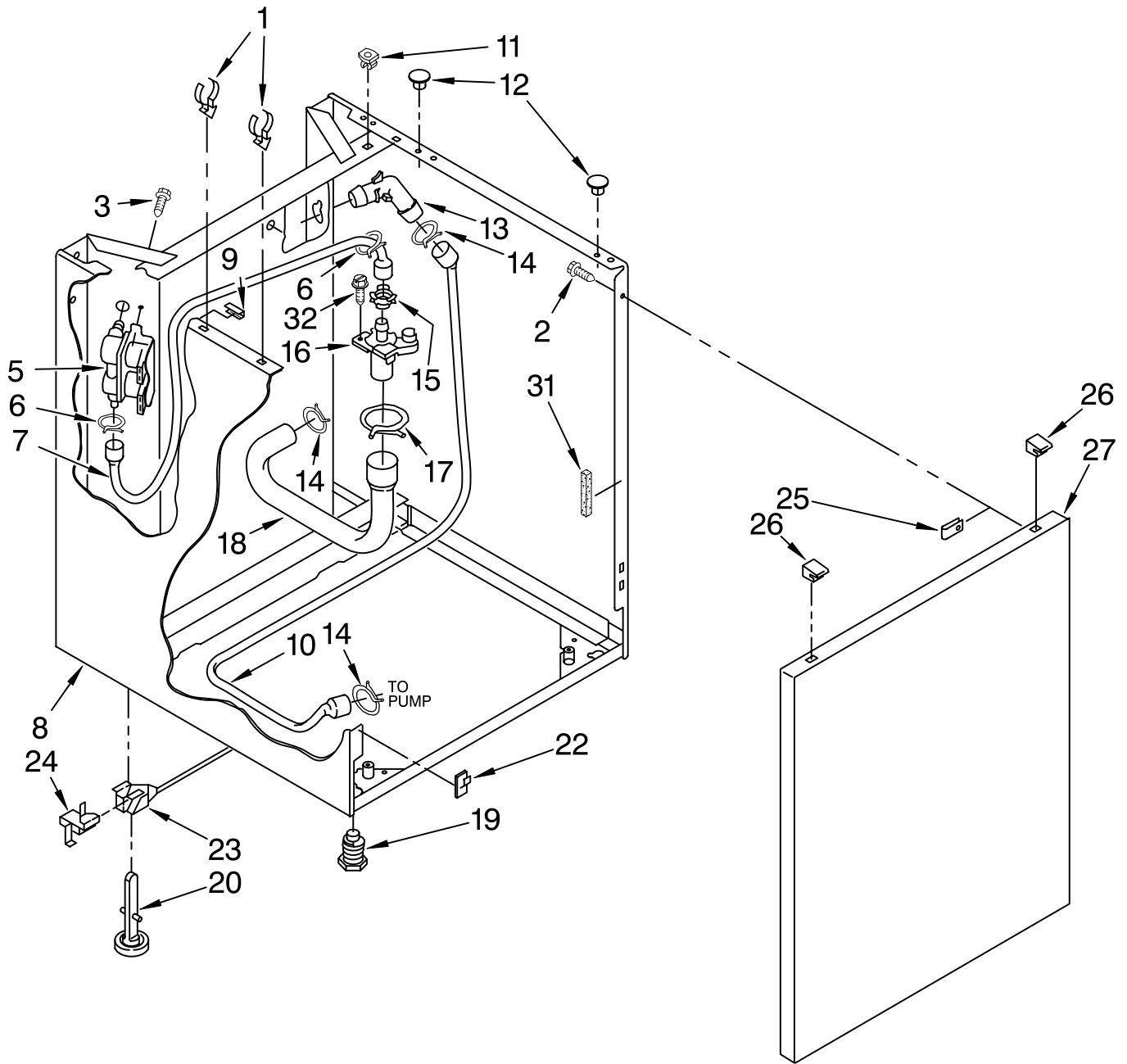
Illus. No.	Part No.	DESCRIPTION	Illus. No.	Part No.	DESCRIPTION	Illus. No.	Part No.	DESCRIPTION
3	3398843	Lid	12	384693	Top	16	358684	Strike, Lid
	3398844	White		384694	White			Switch
		Almond			Almond	17	384459	Hinge, Lid (R.H.)
4	384475	Bumper, Lid (2)	13	19119	Bumper, Lid	18	3400030	Screw, Ground
5	384458	Hinge, Lid (L.H.)			Hinge (2)	20	3400901	Nut, Ground
7	3351355	Screw, Lid	14	21258	Bearing, Lid	22	3355806	Switch, Lid
		Hinge Mounting (4)	15	3356311	Screw & Washer,	23	90016	Clip, Harness
9	692985	Clip, Spring (2)			Lid Switch			Routing
		(Top To Cabinet)			Shield (2)			

FOR ORDERING INFORMATION REFER TO PARTS PRICE LIST



# WASHER CABINET PARTS

For Models: LTG5243DQ1, LTG5243DZ1  
(Designer White) (Designer Almond)



FOR ORDERING INFORMATION REFER TO PARTS PRICE LIST

# WASHER CABINET PARTS

For Models: LTG5243DQ1, LTG5243DZ1  
(Designer White) (Designer Almond)

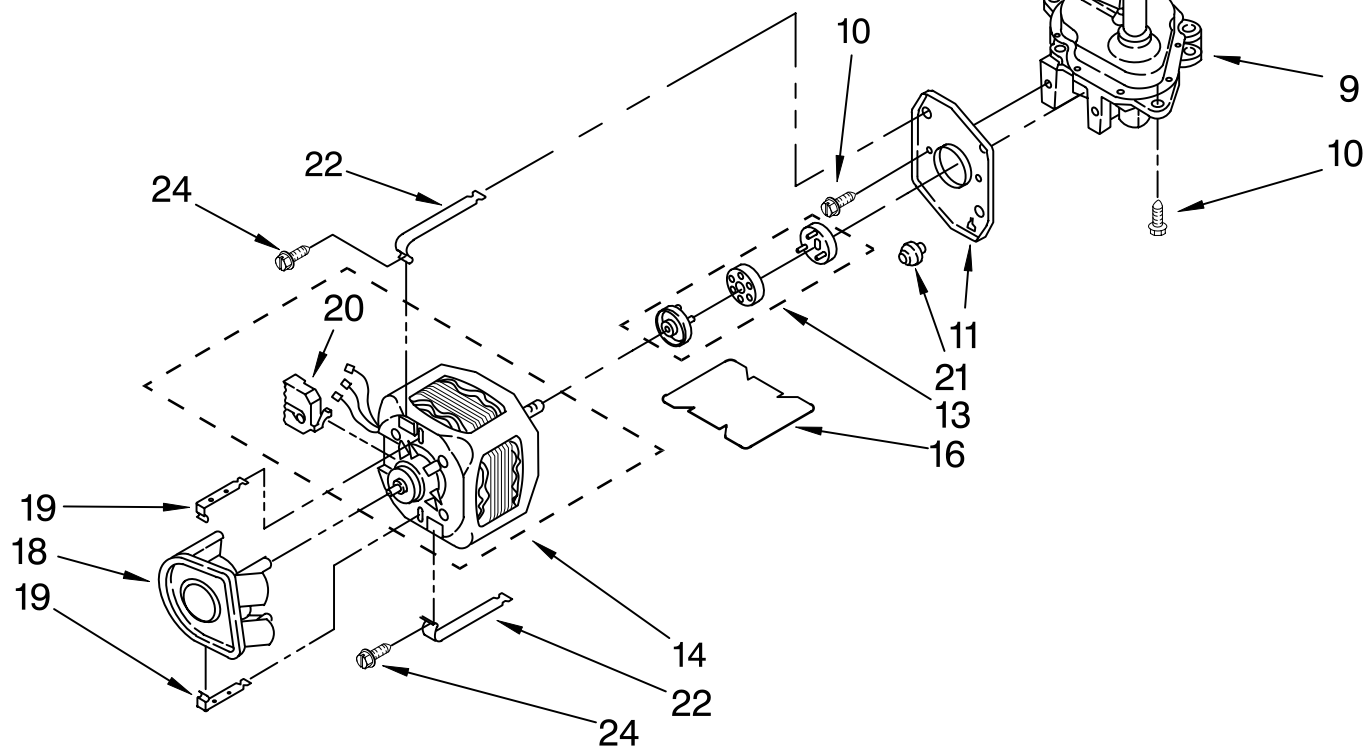
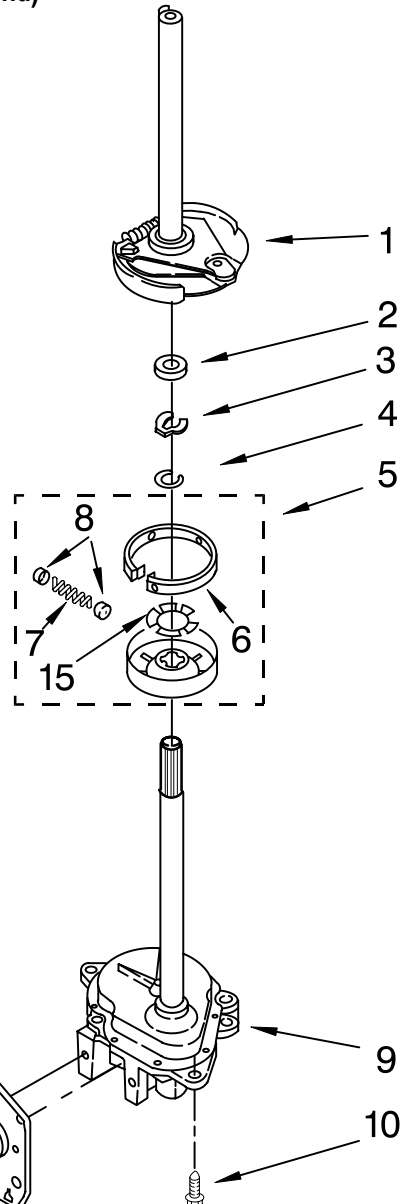
Illus. No.	Part No.	DESCRIPTION
1	356746	Clip, Condenser (2)
2	343641	Screw, 10-16 X 1/2
3	62863	Screw, Mixing Valve Mounting (2) (10-16 X 3/8)
5	3360389	Valve, Water Mixing
6	370451	Clamp, Hose
7	692699	Hose, Water Inlet (Siphon Break To Mixing Valve)
8		Cabinet
	696013	White
	696014	Almond
9	3390046	Protector, Edge
10	696710	Hose, Drain
11	692400	Nut, Push-In (2)
12	660975	Plug, Top To Cabinet
	689587	(Alt.)
	694010	(Alt.)
13	356739	Connector, Hose
14	660626	Clamp, Hose
15	356471	Cap, Siphon Break
16	356363	Siphon Break
17	272861	Clamp, Hose
18	696394	Hose, Water Inlet (Siphon Break To Tub Ring)
19	367594	Foot, Front (2)
20	358594	Foot, Rear (2)
22	3394083	Clip, Front Panel
23	358652	Link, Leveling
24	359364	Clip, Leveling Mechanism (2)
25	98234	Clip, Ground
26	345670	Lock, Top (2)
27		Panel, Front
	692628	White
	692629	Almond
31	3350013	Foam (2)
32	64247	Screw

# BRAKE, CLUTCH, GEARCASE, MOTOR AND PUMP PARTS

For Models: LTG5243DQ1, LTG5243DZ1  
(Designer White) (Designer Almond)

Illus. No.	Part No.	DESCRIPTION
1	387948	Brake And Drive Tube (Complete) (Refer To Page 16 For Further Breakdown)
2	63292	Washer, Spin Tube Thrust
3	62697	Ring, Spin Tube Support
4	63283	Ring, Retainer
5	3951312	Clutch (Complete)
6	3951308	Band and Lining (Includes Illus. 7 & 8)
7	3364271	Spring, Clutch
8	62646	Cap, Clutch Spring (2)
9	3360630	Gearcase (Complete)(Refer To Page 15 For Further Breakdown)

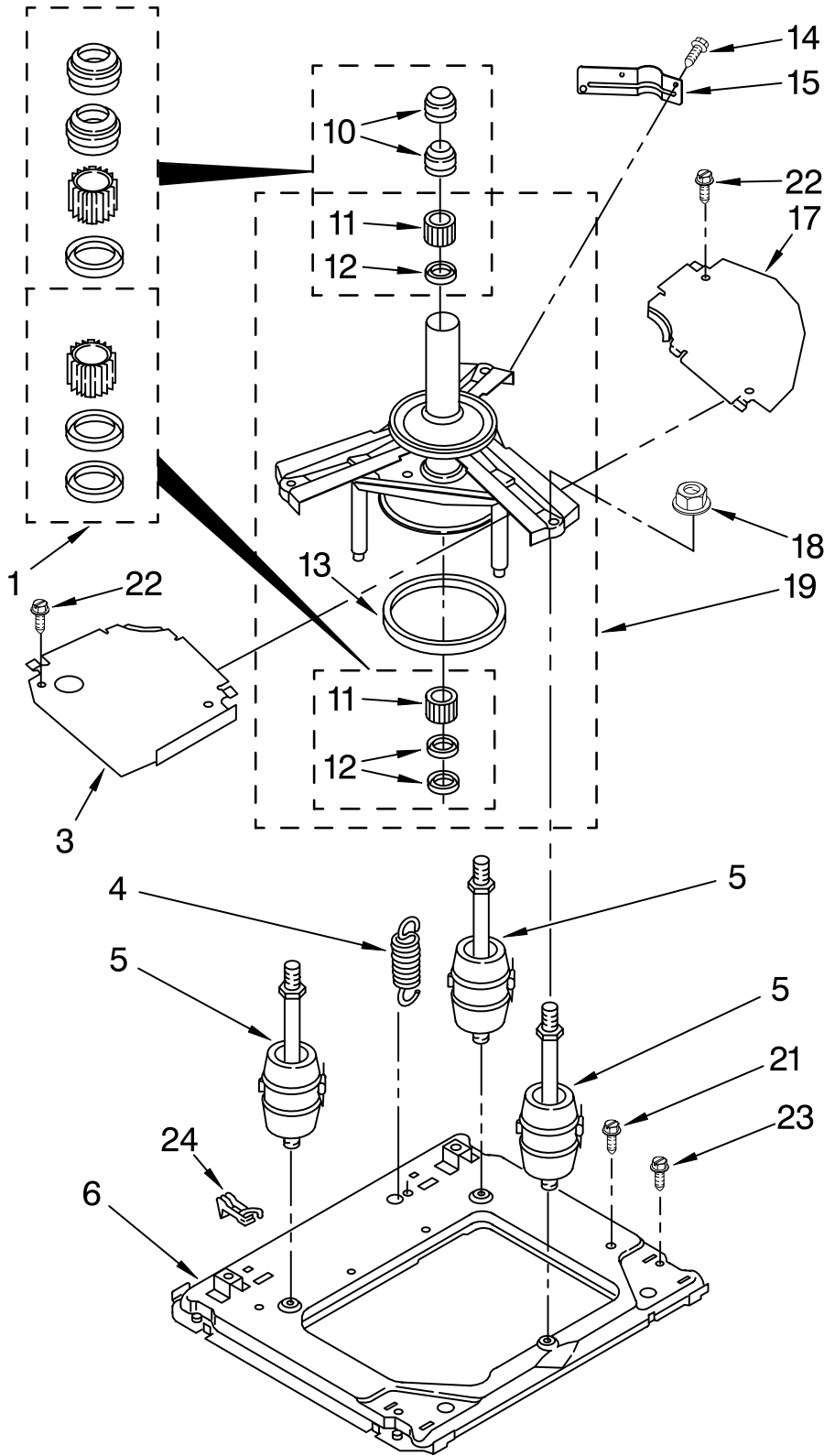
Illus. No.	Part No.	DESCRIPTION
10	3357334	Screw, (3) (Gearcase To Tub Support)
11	62611	Plate, Motor Mount To Gearcase
13	3364003	Coupling, Motor & Isolating
14	661600	Motor, Main Drive
15	3355454	Clip (Anti-Rattle)
16	3946532	Plate, Motor
18	3363394	Pump, Complete
19	62700	Retainer, Pump
20	62850	Switch, Main Drive Motor
21	62691	Grommet, Motor (4)
22	3349637	Retainer, Motor (2)
24	3387485	Screw, 10-16 x 5/8 (2)



FOR ORDERING INFORMATION REFER TO PARTS PRICE LIST

# MACHINE BASE PARTS

For Models: LTG5243DQ1, LTG5243DZ1  
(Designer White) (Designer Almond)

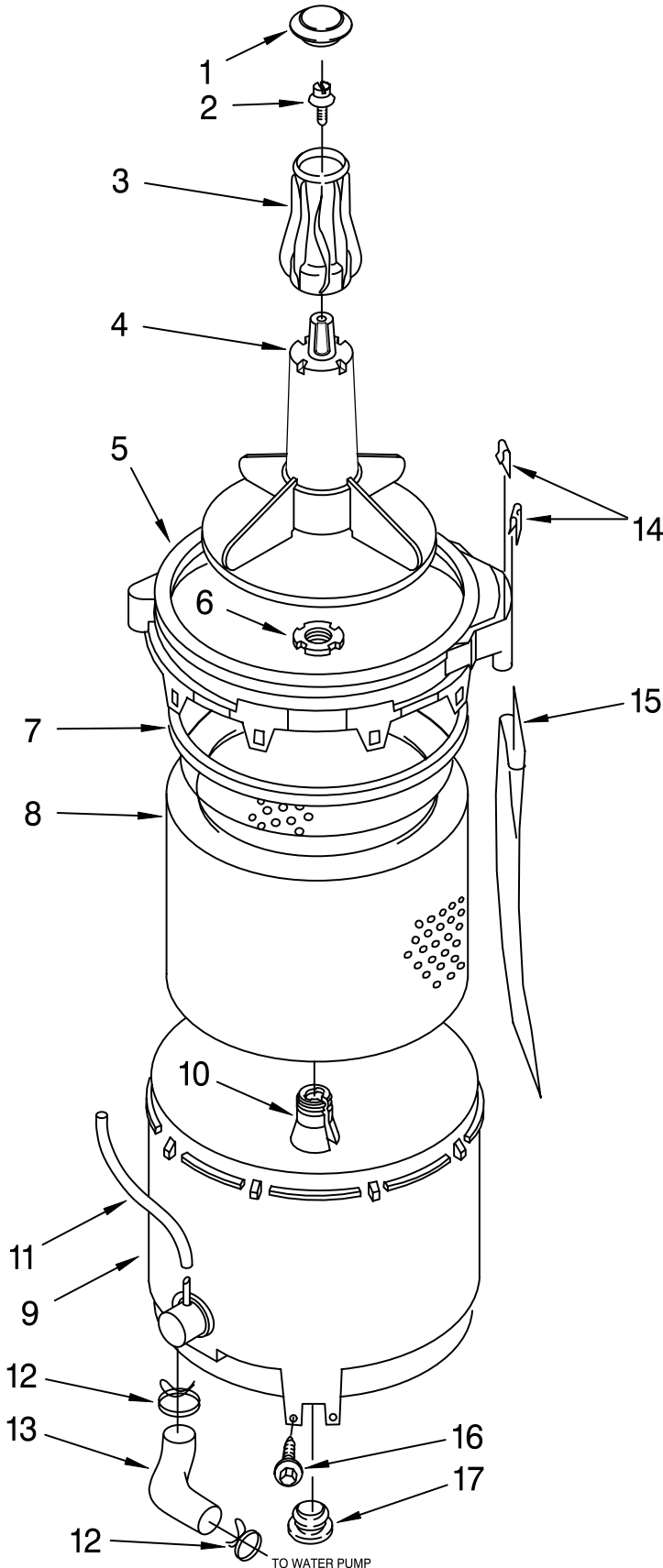


Illus. No.	Part No.	DESCRIPTION
1	285203	Centerpost Bearing Kit (Incls. Illus. 10, 11, & 12)
3	64137	Shield, Tub
4	388492	Spring, Counterweight
5	3406201	Suspension Assembly (3)
6	63755	Base
10	356934	Seal, Centerpost (2)
11	3347047	Bearing, Centerpost (2)
12	357409	Seal, Centerpost (3)
13	63134	Ring, Sound Deadening
14	343641	Screw, 10-16 x 1/2 10-16 X 1/2 (2)
15	63636	Bracket, Counterweight Spring
17	63637	Shield, Tub
18	3351021	Nut, 1/2 - 13 (1)
19	63740	Tub Support and Drum
21	690989	Screw, 10-32 X 1/2 (Grounding)
22	90767	Screw, 8A x 3/8 (4)
23	386011	Screw & Washer (Base To Cabinet)
24	696044	Block, Restraint (2)

FOR ORDERING INFORMATION REFER TO PARTS PRICE LIST

# TUB AND BASKET PARTS

For Models: LTG5243DQ1, LTG5243DZ1  
(Designer White) (Designer Almond)

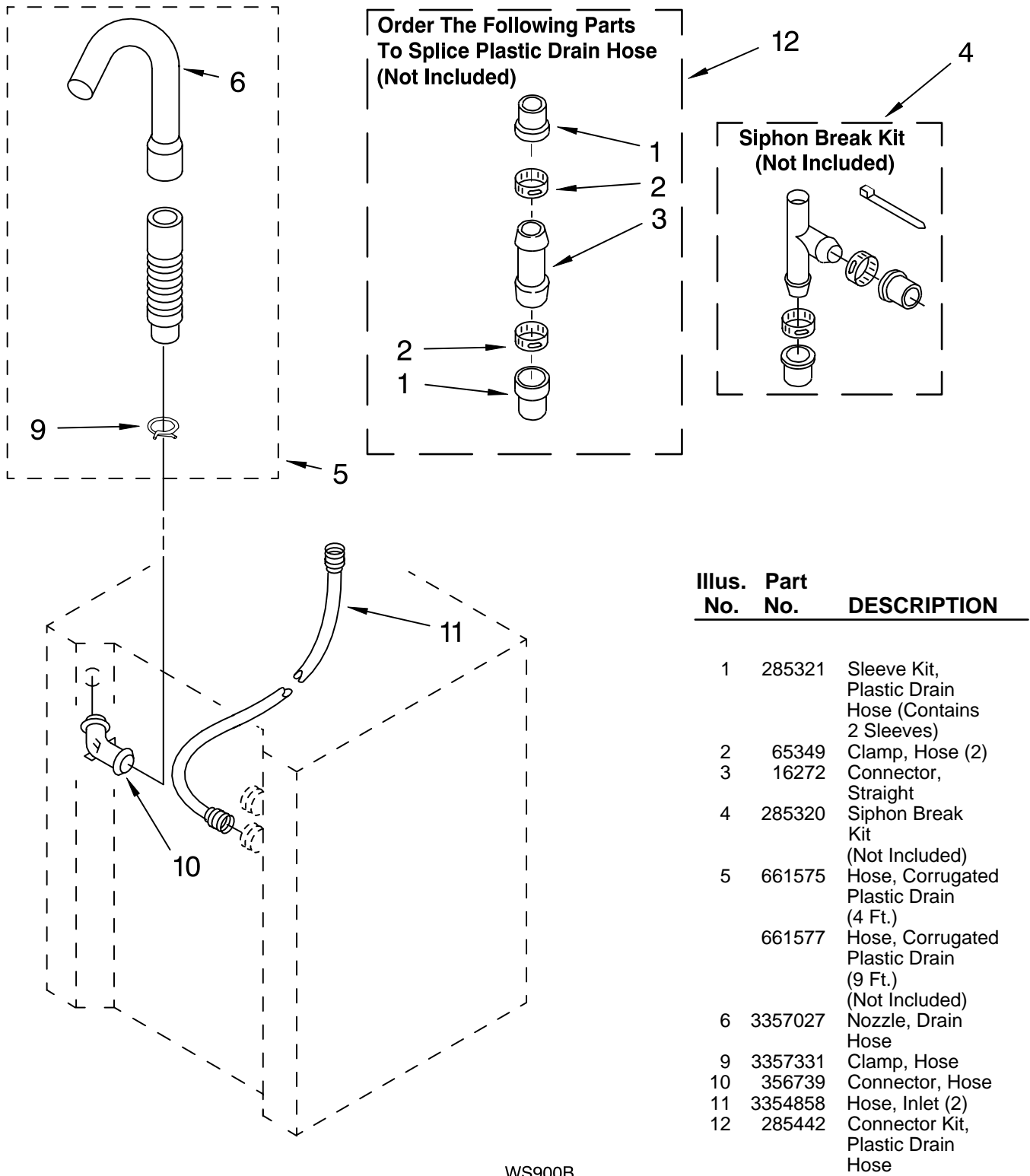


Illus. No.	Part No.	DESCRIPTION
1	3355758	Cap, Agitator
2	358237	Screw & Washer (5/16-24 x 1)
3	63840	Filter, Agitator
4	3349098	Agitator
5	64175	Tub Ring & Gasket (Includes Illus. 7, 14 & 15)
6	21366	Nut, Spanner
7	3359587	Gasket, Tub Ring
8	3351985	Basket
9	63782	Tub
10	389140	Block, Basket Drive
11	696238	Hose, Pressure Switch
12	371502	Clamp, Hose
13	386929	Hose, Tub To Pump
14	352155	Clip, Retaining (2)
15	356398	Tube, Drain Off
16	357640	Screw & Washer (Tub Mounting) (4)
17	383727	Gasket, Centerpost

FOR ORDERING INFORMATION REFER TO PARTS PRICE LIST

# WASHER WATER SYSTEM PARTS

For Models: LTG5243DQ1, LTG5243DZ1  
(Designer White) (Designer Almond)

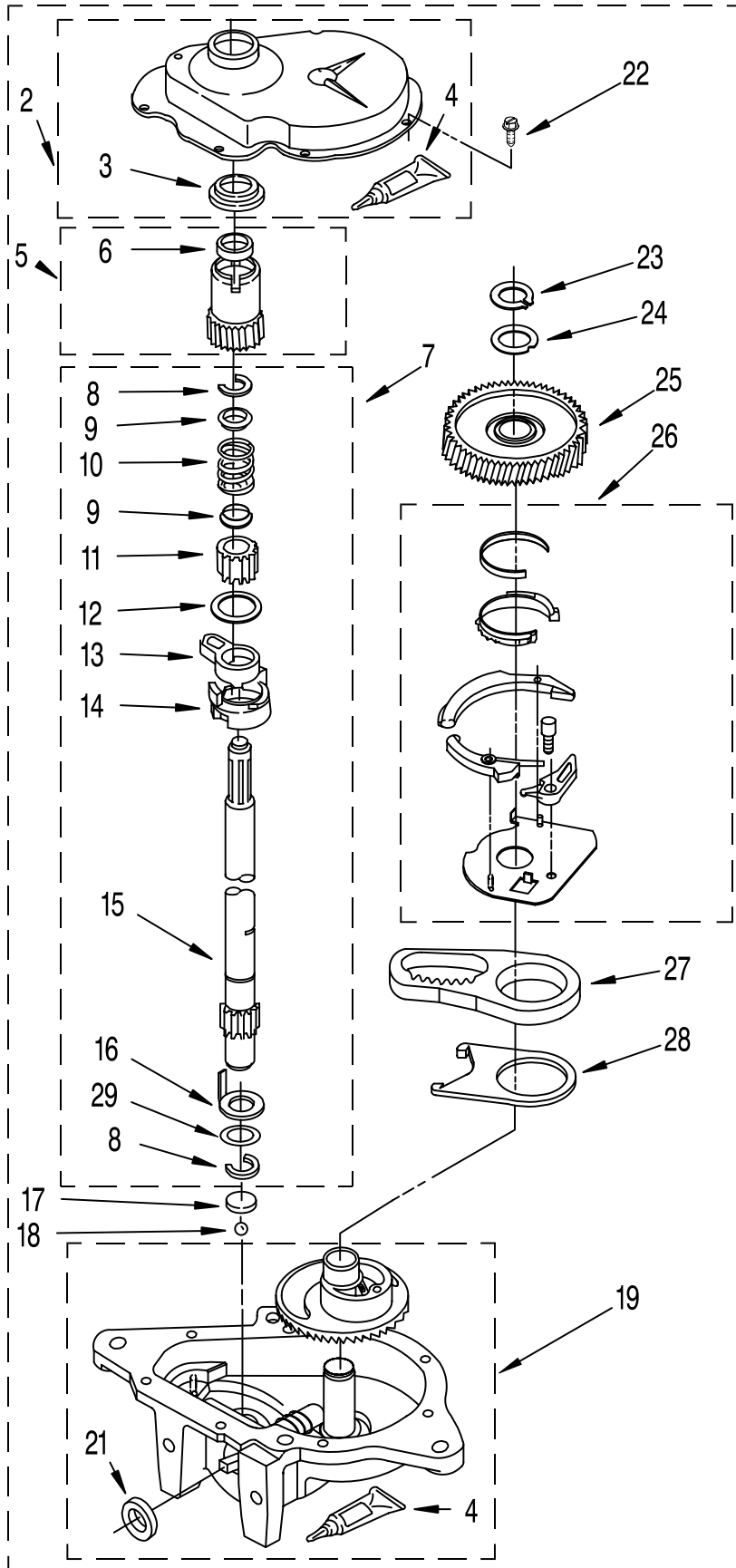


WS900B

FOR ORDERING INFORMATION REFER TO PARTS PRICE LIST

# GEARCASE PARTS

For Models: LTG5243DQ1, LTG5243DZ1  
(Designer White) (Designer Almond)



Illus. No.	Part No.	DESCRIPTION
1	3360630	Gearcase (Complete)
2	285202	Cover, Gearcase
3	3349985	Seal, Gearcase Cover
4	285195	Sealer, Gasket (.20 Fl. Oz.) (6 ml)
5	63320	Pinion, Spin (Includes Illus. 25)
6	356427	Seal, Spin Pinion
7	389387	Shaft, Agitator (Complete)
8	90369	Ring, Retaining (2)
9	62677	Retainer, Spring
10	62676	Spring, Agitate
11	63273	Gear, Agitate (Includes 15 and 29)
12	62619	Washer, Agitate Gear
13	62580	Cam Follower (Includes 14)
14	62581	Cam, Agitate (Includes 13)
15	285509	Shaft, Agitator (Includes 11 and 29)
16	62618	Washer, Cam Thrust
17	16018	Bearing, Thrust
18	85529	Ball, Bearing
19	389230	Bottom and Pinion, Gearcase
21	285352	Seal, Thrust Plug
22	3351614	Screw, Gearcase Cover, Mounting (8) (10-24 x 3/8)
23	3362552	Ring, Retaining
24	285735	Washer Kit, Thrust
25	62570	Gear, Spin
26	388253	Neutral Assembly
27	3349296	Rack, Connecting
28	62621	Actuator, Shift
29	388815	Washer, Intermediate

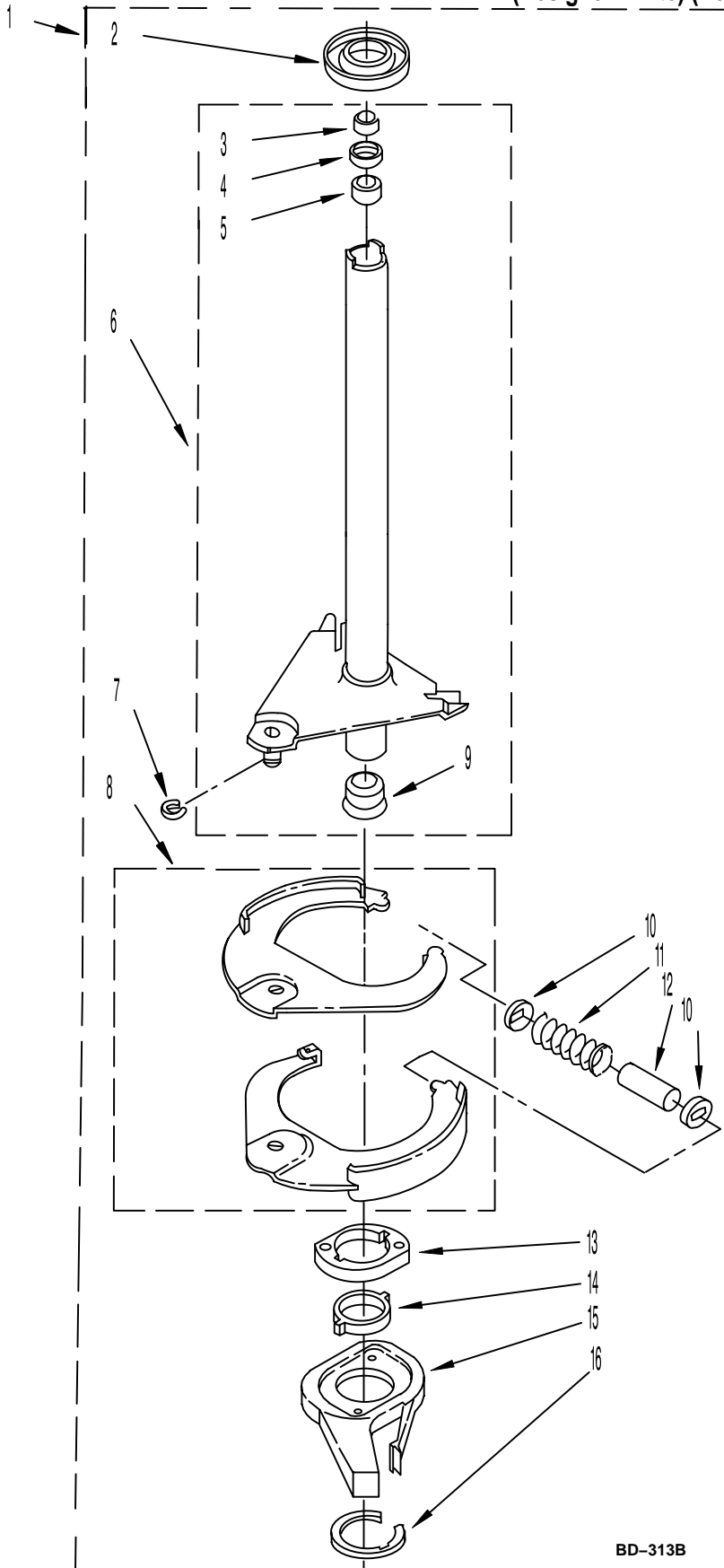
GC-215C

FOR ORDERING INFORMATION REFER TO PARTS PRICE LIST

# BRAKE AND DRIVE TUBE PARTS

For Models: LTG5243DQ1, LTG5243DZ1

(Designer White) (Designer Almond)



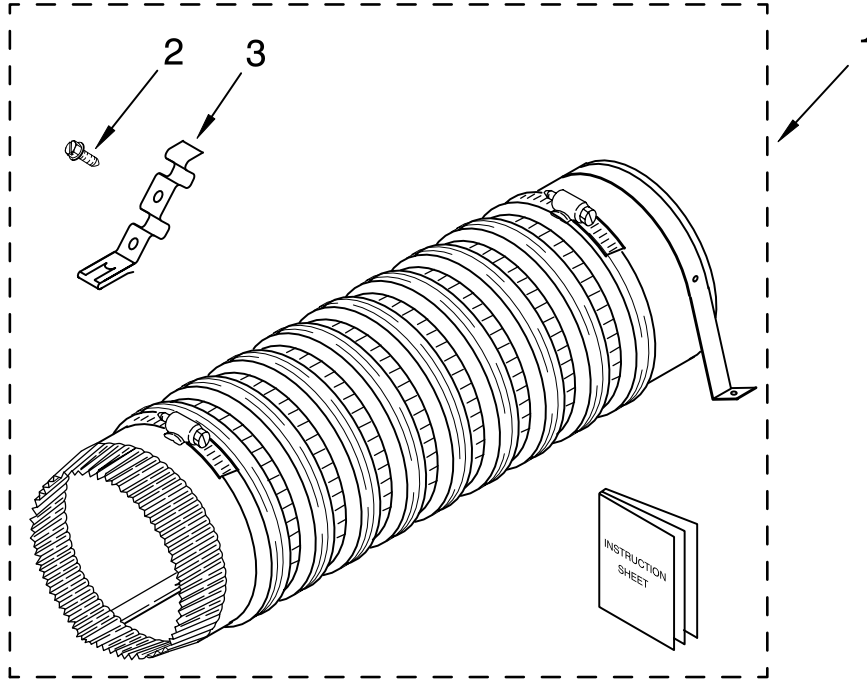
Illus. No.	Part No.	DESCRIPTION
1	387948	Brake And Drive Tube (Complete)
2	62658	Ring, Thrust
3	91939	Seal, Oil
4	356427	Seal, Drive Tube
5	356937	Spacer, Drive Tube
6	64027	Tube, Basket Drive (Includes Illus. 3, 4, 5 & 9)
7	64035	Ring, Retaining
8	64232	Brake Shoe
9	62703	"T" Bearing, Spin Tube
10	62648	Cap, Brake Spring (2)
11	63748	Spring, Brake
12	62909	Sleeve, Brake Spring
13	661516	Cam, Brake Release 63023 (Alt.) 3348288 (Alt.)
14	63022	Sleeve, Cam
15	64194	Driver, Brake Cam
16	90368	Ring, Retaining

FOR ORDERING INFORMATION REFER TO PARTS PRICE LIST



# SALES ACCESSORY PARTS

For Models: LTG5243DQ1, LTG5243DZ1  
(Designer White) (Designer Almond)



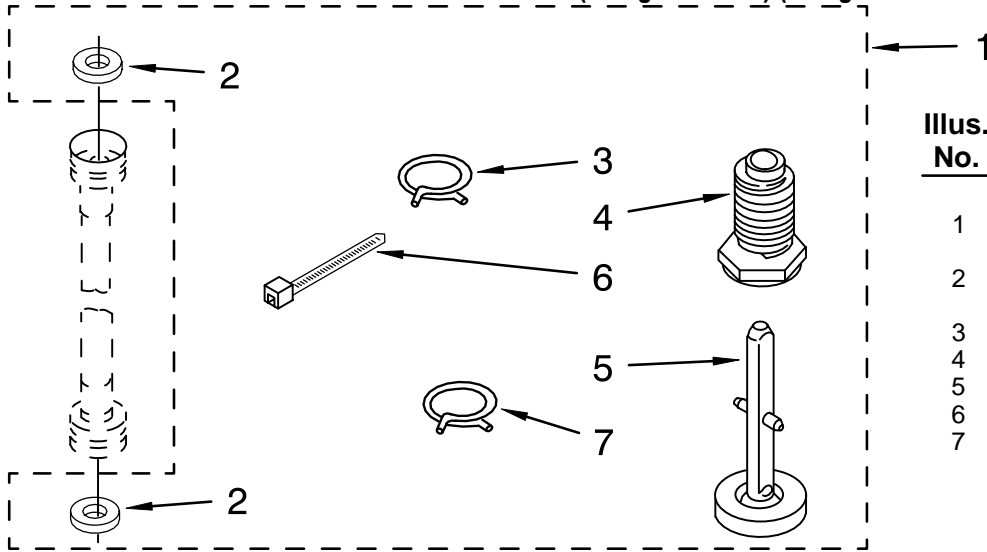
<u>Illus. No.</u>	<u>Part No.</u>	<u>DESCRIPTION</u>
1	279823	Side Exhaust Extension Kit (Complete)
2	488729	Screw
3	3395536	Clip

FOR ORDERING INFORMATION REFER TO PARTS PRICE LIST

# MISCELLANEOUS PARTS

For Models: LTG5243DQ1, LTG5243DZ1

(Designer White) (Designer Almond)



Illus. No.	Part No.	DESCRIPTION
1	3359934	Miscellaneous Parts Bag
2	16123	Washer, Inlet Hose (4)
3	370445	Clamp, Hose
4	367594	Foot, Front (2)
5	358594	Foot, Rear (2)
6	3347868	Tie, Cable
7	3357331	Clamp, Hose (Upper Drain)

## LITERATURE AND OPTIONAL PARTS

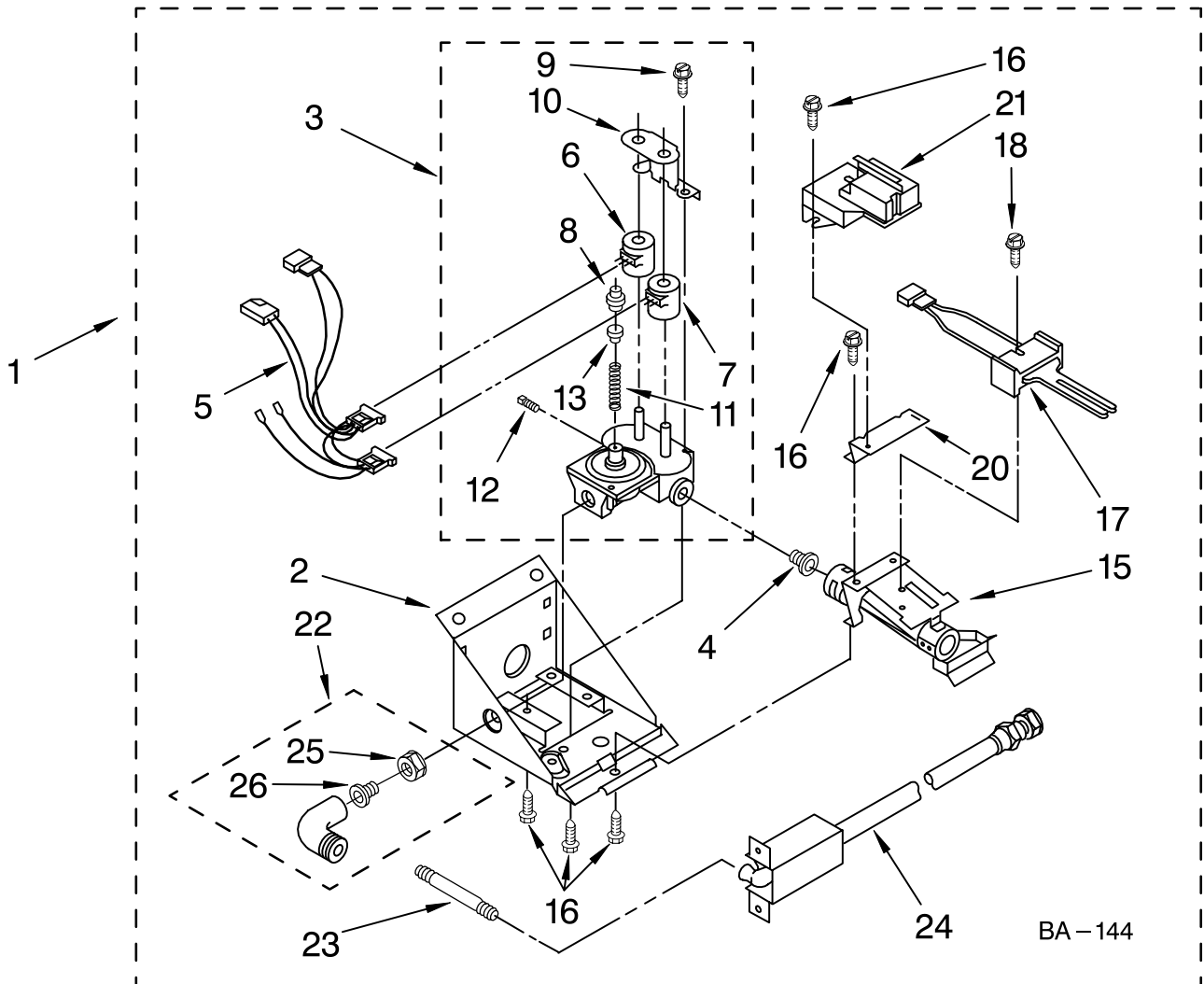
Illus. No.	Part No.	DESCRIPTION	Illus. No.	Part No.	DESCRIPTION	Illus. No.	Part No.	DESCRIPTION
<b>LITERATURE PARTS</b>			<b>OPTIONAL PARTS NOT INCLUDED</b>			<b>ACCESSORY PARTS</b>		
LIT3405971		Instructions, Installation	<b>PAINT, TOUCH-UP (1/2oz.)</b>					Plug, Dryer Side Panel
LIT3401098		Guide, Use & Care		72017	White	692790		White
LIT3952875		Label, Wiring Diagram		72107	Almond	692791		Almond
LIT3948751		Tag, Energy Guide	<b>PAINT, PRESSURIZED SPRAY (13 oz.)</b>			<b>OIL</b>		
				350938	Primer, Gray		350572	Oil, Gearcase (16 Oz.)
				350930	White	<b>LUBRICANT</b>		
				350956	Almond		285208	Lubricant (Use Only in Brake Shoe Assembly On Roller and Pin)
			<b>PAINT, BULK (1 qt.)</b>			<b>SEALER</b>		
				799344	White (Uncut)		285195	Sealer, Gasket (.20 Fl. Oz.) (6 ml)
				978883	Almond (Uncut)			

FOR ORDERING INFORMATION REFER TO PARTS PRICE LIST

# 3402856 BURNER ASSEMBLY

For Models: LTG5243DQ1, LTG5243DZ1  
(Designer White) (Designer Almond)

**USE WITH TYPE 1 – NATURAL, TYPE 2 – MIXED, TYPE 3 – MANUFACTURED  
AND TYPE 4 – LIQUEFIED PROPANE AND BUTANE GASES**



Illus. No.	Part No.	DESCRIPTION	Illus. No.	Part No.	DESCRIPTION	Illus. No.	Part No.	DESCRIPTION
1	3402856	Burner Assembly 60 Hz.	9	694421	Screw, 8-32	22	3406051	Elbow Union Assembly
2	697408	Base, Burner	10	694538	Bracket, Shunt	23	3388638	Nipple, Short
3	3401777	Valve, 60 Hz.	11	694422	Spring, Regulator	24	3391118	Supply Line (Gas)
4	234822	Orifice Natural Gas	12	239822	Pipe, Plug	25	233076	Nut
5	3401849	Harness	13	694423	Screw	26	3393767	Pipe
6	694539	Coil, 60 Hz. (Split)	15	3392268	Burner	Following Parts Not Illustrated		
7	694540	Coil, 60 Hz.	16	3387057	Screw, 8-18 X 3/8			
8	694424	Leak Limiter	17	686590	Ignitor	49573	Conversion Kit (Type 1, 2 & 3) to Type (4) L.P.G.	
			18	3393909	Screw and Washer 8-32 x 1			
			20	697409	Bracket, Sensor			
			21	338906	Sensor, Radiant			

FOR ORDERING INFORMATION REFER TO PARTS PRICE LIST